

Series Features:

- Quality assured manufacturer in Turkey
- Adjustable bracket and suitable for all VDI/VDE interfaces
- ATEX EXD certified product to EXD II BT6/T5 Gb
- 3D dome indicator
- IP67 Enclosure
- Easily adjustable spring loaded cams
- 2pc mechanical switches or inductive Proximity Sensors



Main Materials:

Feature:	Detail:
Enclosure	Aluminium Die Cast
Stem	AISI 420
Stem O Ring	NBR
Indicator	ABS
Cams	Delrin
O Rings	NBR

Brand:

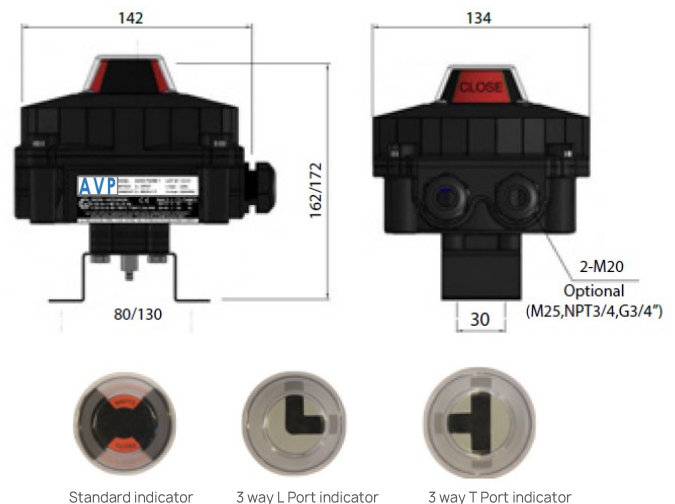
AVP

AVP pneumatic actuators are of the time proven rack and pinion design and with a hard anodised aluminium body, producing a rugged and reliable compressed air driven part turn valve actuator. Valve torques up to 13,000Nm are covered by 18 double acting AVP models and torques up to 4,100Nm by 16 single acting, spring return AVP models. AVP also offer a range of accessories including solenoids and switchboxes.

Specifications:

Item	Detail:
Conduit Entry	Max 4 M15/M20 or M25
Working Temperature	-20C to +80C
Terminal Strip	8 points
Weight	2Kg
Switch Type Mechanical	Mechanical Crouzet V3
Switch Type Proximity	IFM/Pepperl+Fuchs
Protection Class	IP65
Bracket Option	30x80x20 / 30x80x130
3 Way Flow Path	Indicator option available

Dimensions:



AVP Switchboxes are available with different size brackets to suit the different actuator sizes in accordance with Namur VDI/VDE International standard.



SCAN ME

